

4

3

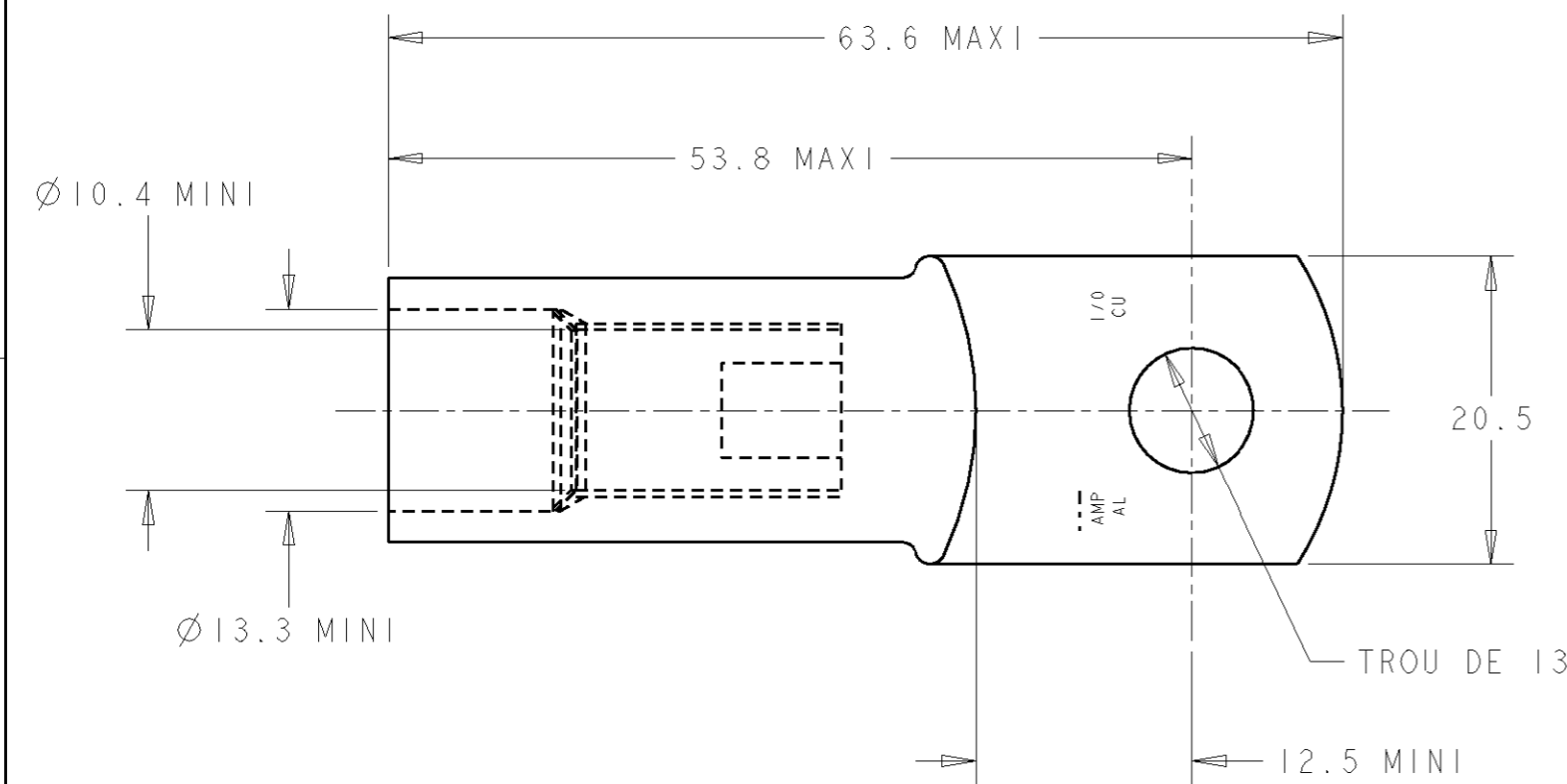
2

1

THIS DRAWING IS UNPUBLISHED.
 DIFFUSION RESTREINTE
 © COPYRIGHT 20 BY TYCO ELECTRONICS CORPORATION. ALL RIGHTS RESERVED.
 TOUS DROITS RESERVES

RELEASED FOR PUBLICATION
 LIBRE A LA DIFFUSION
 20

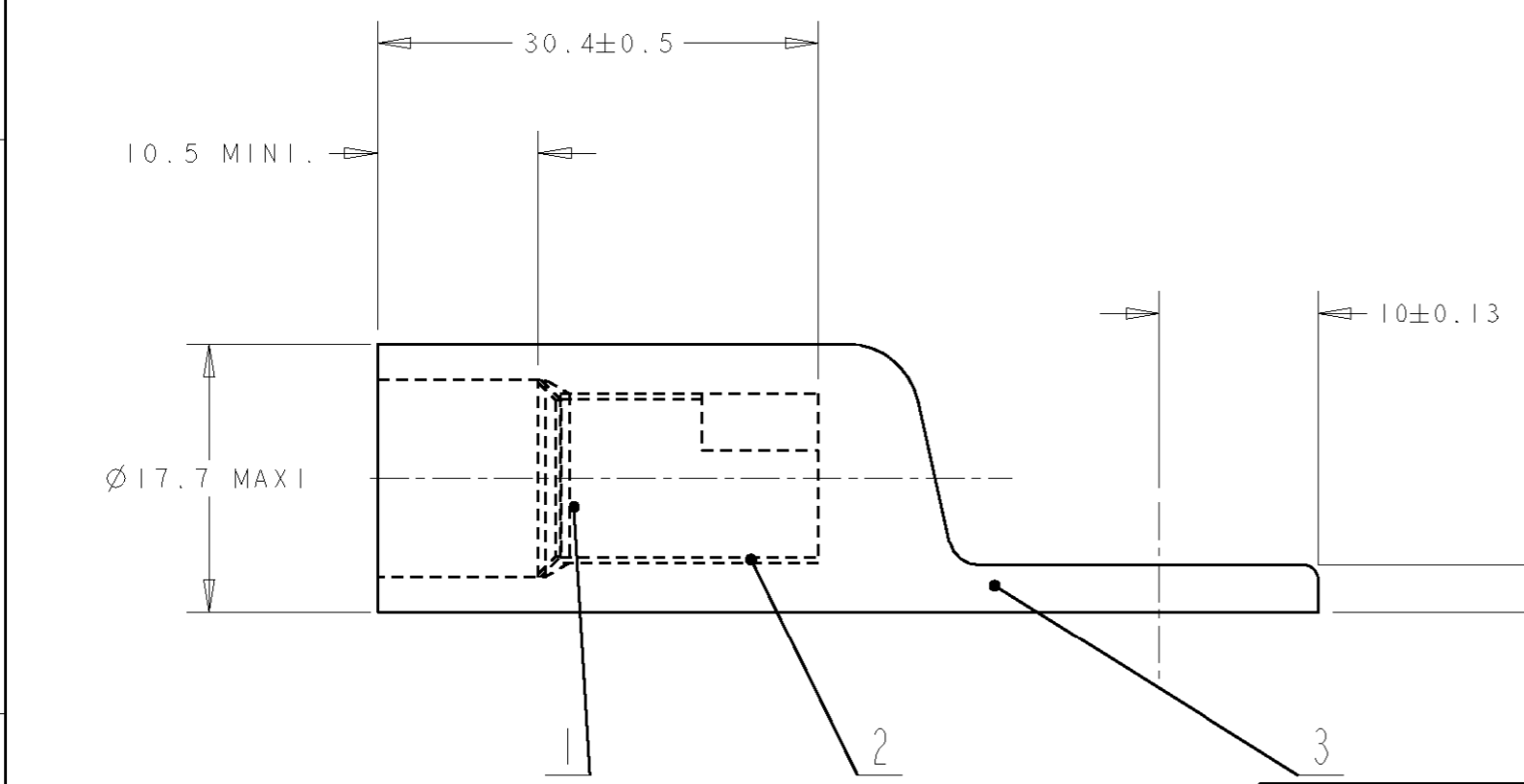
LOC	DIST	REVISIONS					
F	-	P	LTR REV	DESCRIPTION MODIFICATIONS	DATE	DWN DESS.	APVD APP.



REFERENCE : 0-1577118-1

TROU DE 13±0.1 POUR BORNE M12 OU 1/2

MATIERE REVET.	DESIGNATION	REP.
CUIVRE ETAME	COSSE	3
LAITON NIQUELE	BAGUE D'ENTREE	2
LAITON NIQUELE	INSERT	1



1 83700 A 119500 CMA
 2 POIDS : 56 gr

THIS DRAWING IS A CONTROLLED DOCUMENT FOR TYCO ELECTRONICS CORPORATION
 IT IS SUBJECT TO CHANGE AND THE CONTROLLING ENGINEERING ORGANIZATION
 SHOULD BE CONTACTED FOR THE LATEST REVISION.
 CE PLAN EST UN DOCUMENT CONTROLE PAR TYCO ELECTRONICS. IL EST
 SUSCEPTIBLE D'ETRE REVISE. CONTACTER LE SERVICE TECHNIQUE
 DE TYCO ELECTRONICS POUR OBTENIR LA DERNIERE REVISION.

DIMENSIONS: mm	TOLERANCES UNLESS OTHERWISE SPECIFIED: TOLERANCES NON SPECIFIEES (SUIV NB DE DECIMALES): 0 PLC/DEC: ±- 1 PLC/DEC: ±0.1 2 PLC/DEC: ±0.01 3 PLC/DEC: ±0.001 4 PLC/DEC: ±0.0001 ANGLES ±-	DWN/DESSINE 18FEB2004 J. DREUX	 TYCO ELECTRONICS France SAS BP 30039, 95301 CERGY-PONTOISE Cedex
		CHK/VERIFIE 18FEB2004 G. ROBERT	
		APVD/APPROUVE 18FEB2004 Y. PETRONIN	
MATERIAL /MATIERE See table	FINISH /FINITION See table	PRODUCT SPEC SPEC. PRODUIT -	NAME TITRE -
		APPLICATION SPEC SPEC. APPLICATION -	SIZE FORMAT A3
		WEIGHT MASSE APPROX. -	CAGE CODE 00779
		CUSTOMER DRAWING /PLAN CLIENT	DRAWING NO No PLAN C=1577118
		UNIQUEMENT POUR REFERENCE	RESTRICTED TO RESERVE A -
		SCALE ECHELLE 2:1	SHEET FEUILLE OF DE 1
			REV 0